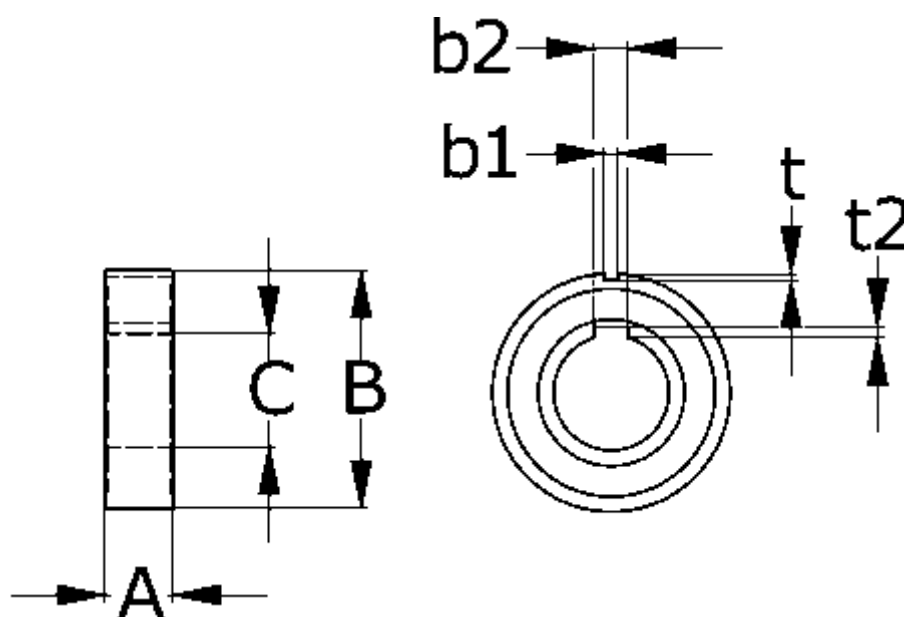


Article number: 5798014003

Description: Tsubaki Cam clutch bearing BB40-2K-K  
d=40 D=80 T=22, with keyway on inner & outer race steel sealed

## Measures



A	= 22
B	= 80
b1	= 10
b2	= 12
C	= 40
t1	= 3
t2	= 3.3
Torque (Nm)	= 260